

# PLATE-PRO<sup>®</sup>



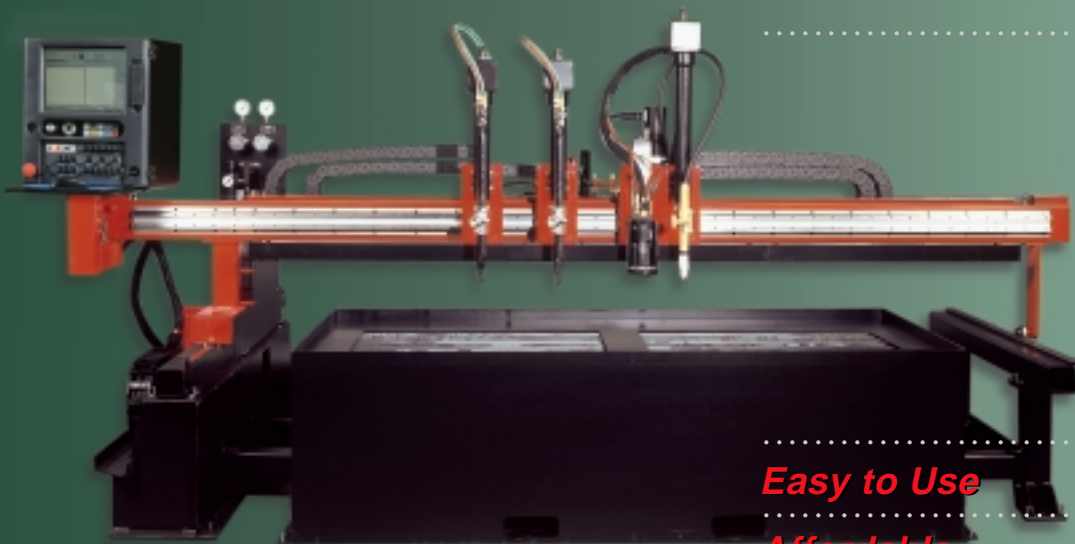
## CNC Cutting Machine

MODELS

1500

2000

2500



*Easy to Use*

*Affordable*

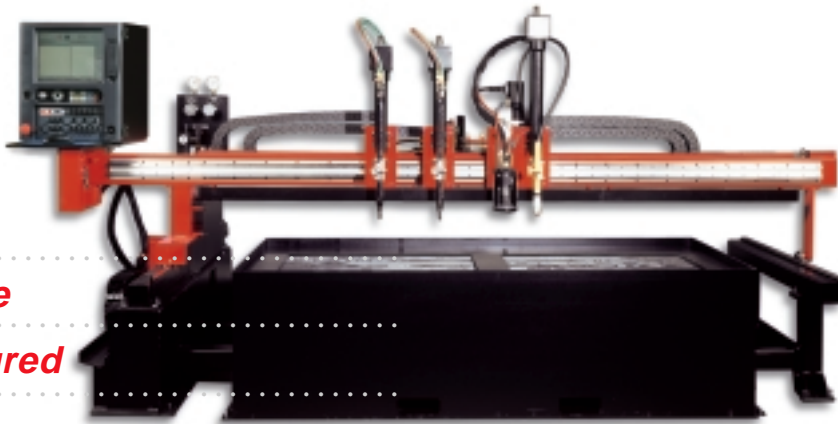
*Full Featured*



**KOIKE ARONSON, INC.**



# CNC Cutting Machine



**Affordable**

**Full Featured**

The Koike Aronson Plate-Pro® is the most competitive CNC continuous plasma machine in its class. As well as being very affordable, the Plate-Pro® is full featured, easy to install, and simple to operate. CNC cutting is now practical for light to medium-duty cutting in areas with limited space.

The Plate-Pro® is a rigid rail, rapid traverse, and multi-tool station cutting system. Available in 5, 6 and 8 foot cutting widths, this system offers a standard cut length of 10 feet; 12, 20 and 24 feet are optional to meet high production cutting needs. Utilizing a rigid beam and pedestal mounted rail system, the Plate-Pro® provides tight "point-in-space" movement accuracy to maintain critical cutting precision at the Plate-Pro's® high 600IPM traverse speeds.

Offering up to four tool stations, the Plate-Pro® can be outfitted with single 200 amp or dual 100 amp plasma cutting systems, up to three oxy-fuel cutting stations, or a combination of oxy-fuel, plasma, and plasma marking systems.

Designed to use the new KAR CNC X control, the Plate-Pro® offers a standard built-in shape library and quick loading of "post-processed" nested cutting files through the standard internal disk drive, RS232 communication port or networking. DXF files are directly loaded.

## Features

- Koike KAR CNC X
- Smooth Servo Drive Motors on all axes
- Precision Planetary Gearboxes
- Rack and Pinion Drive on both axes
- 600 inch per minute Rapid Traverse Speed
- Smooth Long Life Linear Round Way on Cross Axis
- Rigid Fabricated Rail System
- Power Track Cable Control Systems On All Axes
- Multi-Process Capability

## Options

- 5, 6 & 8 feet of Cut Width
- 10, 12, 20 & 24 feet of Cut Length
- Hi-Lo Oxy-Fuel Gas System
- Auto-Ease-On
- Automatic Oxy-Fuel Ignition
- Water Spray for Oxy-Fuel Torch Stations
- Single Plasma System up to 200amps
- Dual Plasma Systems up to 100amps Each
- Air Scribe Plate Marking System
- Plasma ArcWriter Plate Marking System
- Medium Duty Downdraft Tables 2" Max. Capacity

## Full Featured Performance



*Koike's state-of-the-art KAR CNC X control system has very generous features for a cutting machine of this size.*



*Designed to hold up to four tool stations, Koike Aronson's Plate-Pro® can be outfitted with several cutting and marking combinations.*

### Operational Features

- Floppy Disk Drive standard
- Built-In Shape Library
  - Direct front panel selection
  - Selectable automatic lead-in/lead-out dimensions
- Inch/Metric operation selectable
- Return to pierce point or start position (home)
- Extensive built-in diagnostics and calibration
- Selectable cutting order
- Direct DXF conversion
- Selectable kerf compensation
- Program scaling
- Create / Edit program (MDI front panel)
- Automatic plate alignment
- Program mirror imaging (x/y axis mirror)
- Program rotation
- RS-232 serial communications
- 12. ITFT flat panel display
- MicroCAD - expands standard shape library
- Network card with RJ45 connector
- USB port for memory stick



*The rigid beam and pedestal mounted rail system provides tight "point in space" movement accuracy for precision cutting while the servomotors provide accurate, smooth, stable operation on all axes.*

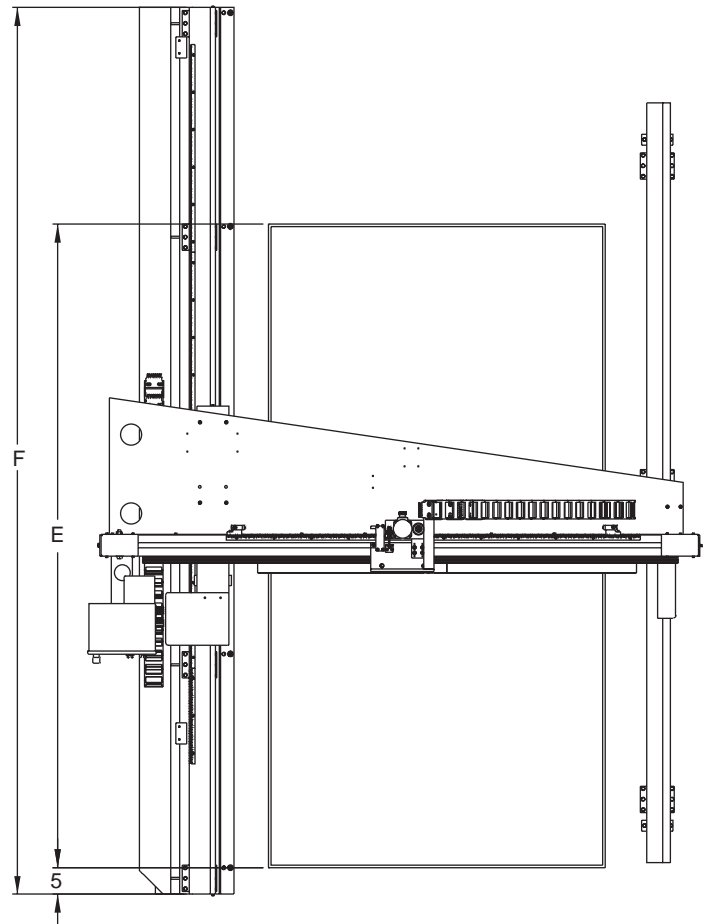
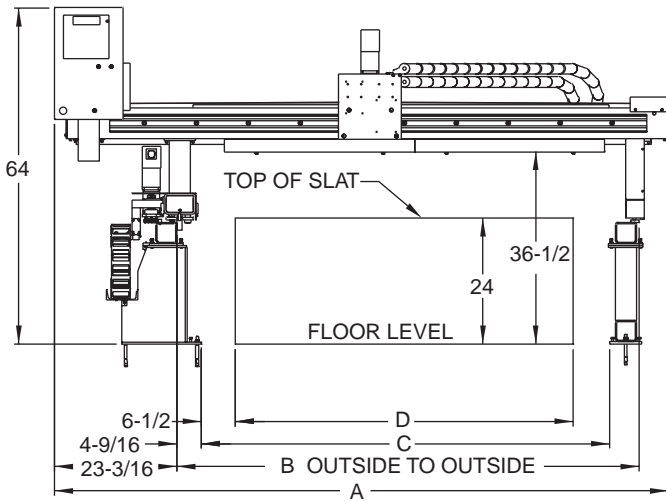
## The Cost-Effective Choice for CNC Cutting



# Versatile Performance

PP-09-05-1000

Once again, Koike Aronson has responded to the industrial marketplace with a winning CNC cutting machine. The Plate-Pro® is the best CNC cutting machine available for light to medium-duty cutting and plate marking applications. The Plate-Pro® is affordable, simple to install, and easy to operate while offering a full range of CNC cutting features.



Models	2500	2000	1500
Total Machine Width (A)	152-3/8	128-3/8	116-3/8
Rail Gauge (B)	123-1/2	99-1/2	87-1/2
Width Between Rail Supports (C)	113-1/2	89-1/2	77-1/2
Table Width (D)	100	76	64
Table Length (E)	122/146/242/290	122/146/242/290	122/146/242/290
Rail Length (F)	168/192/288/336	168/192/288/336	168/192/288/336
Effective Cutting Width	96	72	60
Effective Cutting Length	120/144/240/288	120/144/240/288	120/144/240/288
Max. Rapid Traverse Speed	600 IPM	600 IPM	600 IPM
Max. Contour speed	400 IPM	400 IPM	400 IPM
Number of Tools	Up to 4	Up to 4	Up to 4

***Koike Aronson –  
Always at the  
Cutting Edge***



## KOIKE ARONSON, INC.

**Main Office:**  
635 W. Main St., P.O. Box 307  
Arcade, NY 14009  
Phone (585) 492-2400  
Fax (585) 457-3517

**Houston Sales Office:**  
1285 North Post Oak, Suite 150  
Houston, TX 77055  
Phone (713) 682-9645  
Fax (713) 957-4852

**Sold By:**

Visit us at [www.koike.com](http://www.koike.com)